

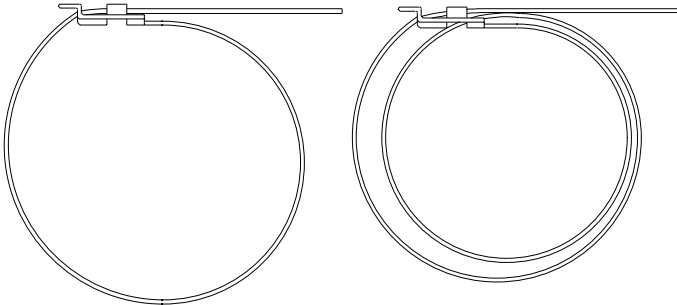


BAND-IT[®]

Installation Instructions

BAND-IT Tie

MAX. Operating Temperature: nylon 11 coated = 300°F (149°C)
Rated Load (Loop Tensile Strength, single-wrap): 1/4" tie = 75 LBS
3/8" tie = 100 LBS

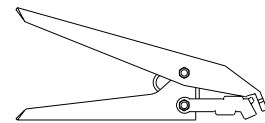


Single wrap

Double wrap

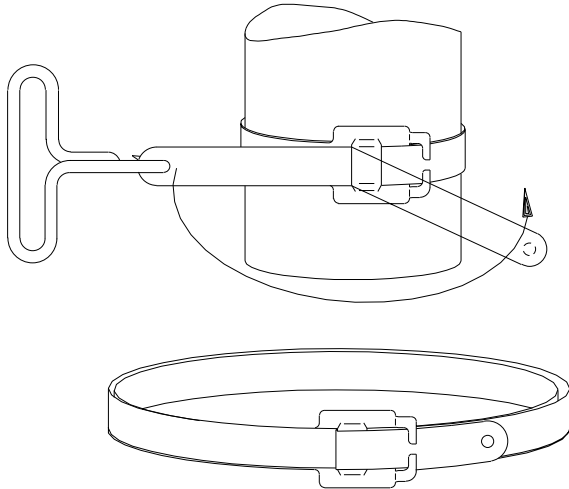
1. Wrap BAND-IT Tie around object with the locking ears up. Wrap per diagram at left.

2. Tighten BAND-IT Ties either by hand, with the Band-It AE201 Tensioning hook, the Band-It AE200 Tensioning tool, or the Band-It C075 Bantam tool, depending on desired tension.



AE200 tool

3. Bend tail back over raised bridge.



4. Secure tail under ears by slightly pushing the tail sideways and down, first one way then the other.

5. Tail may be left on for re-use.

BAND-IT[®]

BAND-IT - IDEX, INC.
A Unit of IDEX Corp
P.O. Box 16307
Denver, Colorado 80216-0307 USA
1-188-525-0758
info@band-it-idex.com / www.band-it-idex.com

