



BAND-IT[®]
THE CLAMPING EXPERTS

*ID200
ID TAG IMPRINTER
OPERATORS MANUAL AND PARTS LIST*

BAND-IT[®]

BAND-IT - IDEX, INC.

A Unit of IDEX Corporation

P.O. Box 16307

Denver, Colorado 80216-0307 U.S.A.

Ph: 1-800-525-0758

info@band-it-idex.com / www.band-it-idex.com

IDEX

IDEX CORPORATION

P98287-C

INTRODUCTION

THE BAND-IT I.D TAG IMPRINTER COMES WITH A 3/32" LETTER DIAL. IMPRINTER HANDLE CAN BE OPERATED FROM A SITTING POSITION BY PULLING OF THE HANDLE OR PUSHING FROM A STANDING POSITION.

REMEMBER TO RETURN THE HANDLE TO IT'S NEUTRAL POSITION TO INDEX TABLE. DO NOT PUSH HANDLE BEYOND NEUTRAL POSITION. IT MAY CHANGE DEPTH OR DAMAGE DEPTH ADJUSTING SCREW.

A LINE AND LETTER CHART IS SUPPLIED ON PAGE 4 TO ASSIST IN IMPRINTING SET-UP, FOR ADDED FLEXIBILITY, THE MOUNTING PLATE CAN BE MOUNTED THE RIGHT OR LEFT SIDE OF THE TABLE.

STANDARD LETTER SIZE IS 3/32" KITS ARE AVAILABLE FOR 1/16", 1/8", 3/16" AND 1/4" LETTERS. EACH KIT INCLUDES A DIAL AND KNOB ASSEMBLY, ESCAPEMENT WHEEL, LINE INDICATOR, LETTER INDICATOR AND CHART FOR LINE AND LETTER LOCATION.

CONTENTS

IMPRINTER OPERATING INSTRUCTIONS _____	2
CHANGING CHARACTER DIAL INSTRUCTIONS _____	3
LINE AND LETTER CHART _____	4
PARTS DRAWING _____	5
PARTS LIST _____	6
TROUBLE SHOOTING _____	7
KITS _____	8-9
SPECIALS _____	10

I.D TAG IMPRINTER

THE IMPRINTER IS AN EASY-TO-USE MACHINE FOR STAMPING DATA NEATLY AND UNIFORMLY ON I.D. TAGS.

FAMILIARIZE YOURSELF BY IMPRINTING SOME PRACTICE PIECES.

WITH THE 3/32" LETTER SIZE DIAL, THE LARGE 1 1/2 X 2 1/2 I.D TAG CAN HOLD AS MANY AS 91 CHARACTERS ON 7 LINES, PLUS 30 MORE USING ALL THE SPACE AVAILABLE (SEE LINE AND LETTER CHART PROVIDED IN THIS MANUAL). THE SMALL 3/4 X 2" I.D TAGS WILL HOLD 39 CHARACTERS ON 3 LINES.

HOW TO OPERATE IMPRINTER

NOTE:

IMPRINTER IS ASSEMBLED WITH LARGE ANVIL ALREADY IN PLACE. WHEN IT BECOMES NECESSARY TO EXCHANGE ANVILS (TO PRINT ON SMALL TAGS) BE SURE THAT THE WORD "BOTTOM" IS FACED DOWN ON TABLE.

LOOSEN MOUNTING PLATE KNURLED NUT.

SLIDE MOUNTING PLATE TO THE FRONT AND PLACE LARGE I.D TAG ON TOP OF ANVIL. MOVE TAG HOLD-DOWN SLIDES TO THE INSIDE.

ALIGN THE RIGHT FRONT EDGE OF THE MOUNTING PLATE WITH THE #1 LINE OF THE LINE INDICATOR AND THE POINTER OF THE LETTER INDICATOR WITH THE LETTER "D".

SPIN THE CHARACTER DIAL TO SELECT THE DESIRED LETTER OR NUMBER TO IMPRINT.

IMPRESSION DEPTH HAS BEEN PRESET AT THE FACTORY. IF DEEPER IMPRESSION IS DESIRED, TURN DEPTH ADJUSTMENT SCREW LOCATED ON TOP OF IMPRINTER COUNTER CLOCKWISE.

ACTUATE OPERATING HANDLE FIRMLY FOR CHARACTER IMPRESSION IN I.D TAG. TABLE WILL INDEX AUTOMATICALLY TO THE NEXT CHARACTER SPACE.

CAUTION:

FORCING THE OPERATING HANDLE MAY CAUSE DAMAGE TO THE MACHINE.

USE THE LETTER AND LINE CHART ON PAGE 4 FOR LINE CHARACTER POSITION.

CONSULT INDIVIDUAL LETTER DIAL KITS LINE AND LETTER CHART FOR DIFFERENT SIZE LETTER SET-UP.

CHANGING THE CHARACTER DIAL

REMOVE LIMIT SPACER AROUND SPACER BUTTON SHAFT FOR QUICKER SET-UP OF DIAL.

REMOVE SCREW IN CENTER OF DIAL AND TAKE DIAL AND KNOB ASSEMBLY OFF.

PLACE NEW DIAL AND KNOB IN POSITION AND TIGHTEN WITH RETAINING SCREW.

REPLACE LINE AND LETTER INDICATOR WITH CORRESPONDING PARTS FROM KIT.

SLIDE TABLE TO EXTREME RIGHT AND REMOVE TABLE LIMIT SCREW.

CAUTION:

TABLE IS UNDER TENSION WHEN PUSHED ALL THE WAY TO THE RIGHT.

TO SAFELY RETURN TABLE TO THE LEFT, HOLD TABLE TO THE RIGHT AND PUSH SPACER BUTTON TO ALLOW TABLE TO MOVE SLOWLY TO THE LEFT AND EXPOSE SPACING MECHANISM.

REMOVE ESCAPEMENT WHEEL SCREW AND ESCAPEMENT WHEEL AND REPLACE WITH PARTS FROM KIT.

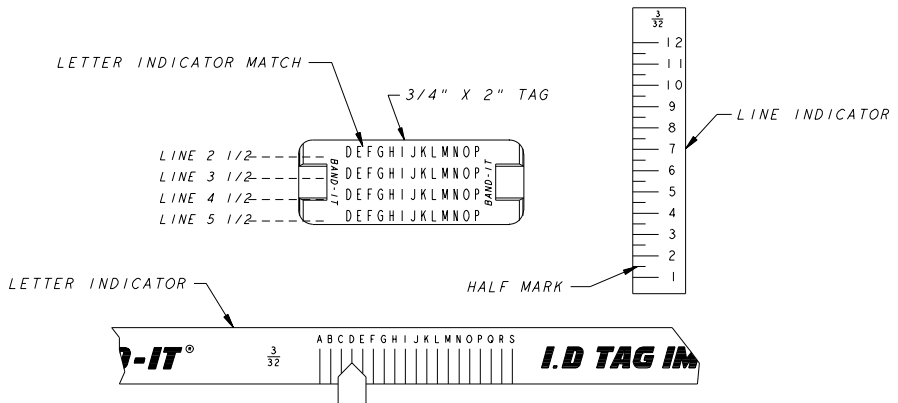
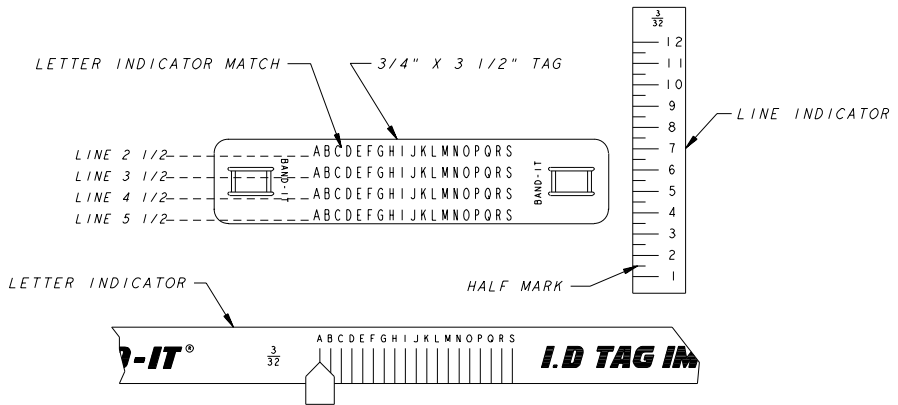
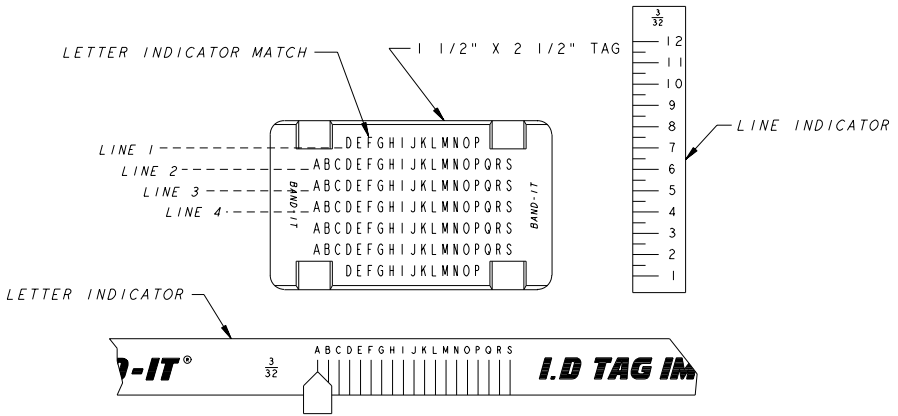
MOVE TABLE ALL THE WAY TO THE RIGHT AND REASSEMBLE TABLE LIMIT SCREW.

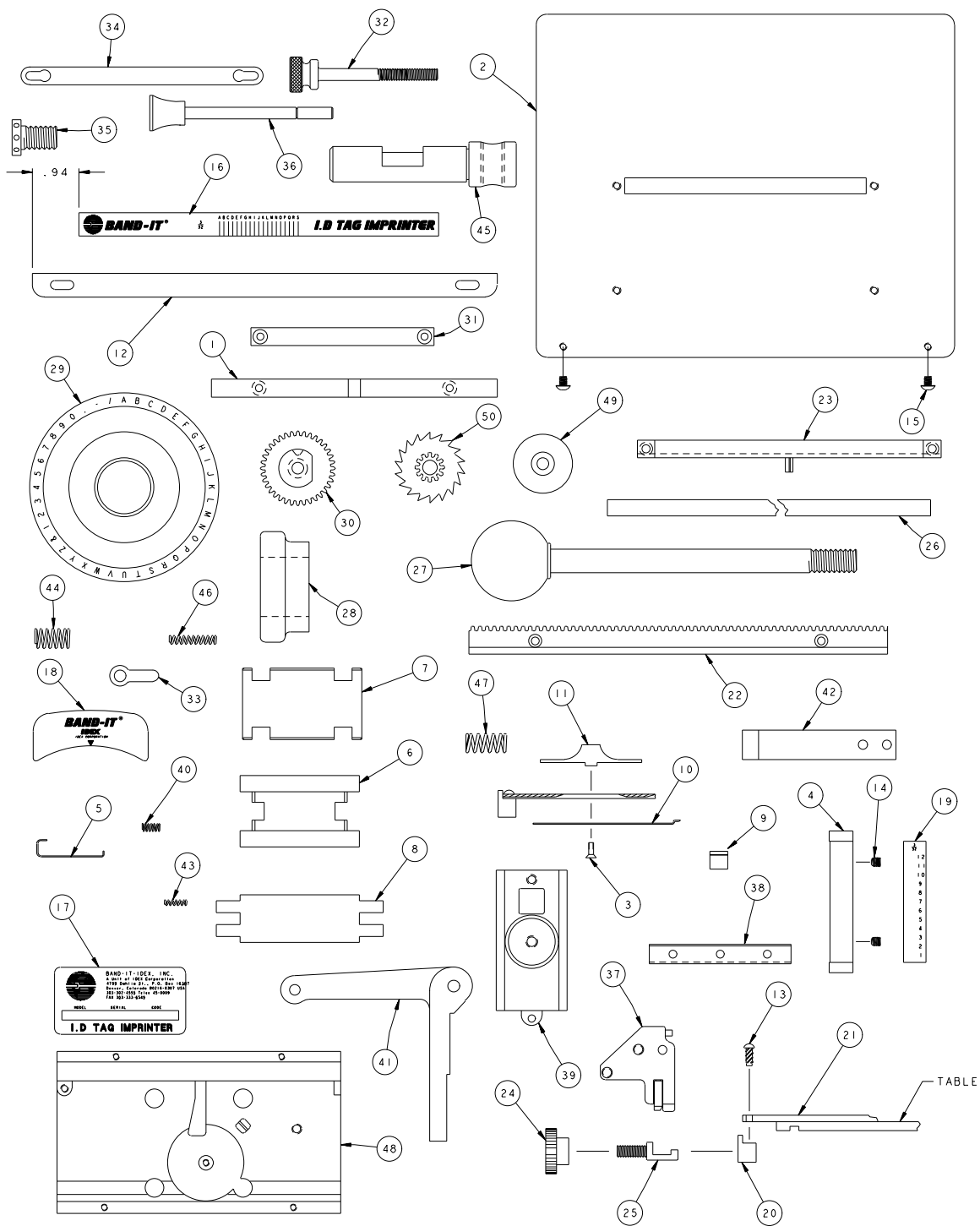
REASSEMBLE LIMIT SPACER AROUND SPACER BUTTON SHAFT.

TO RETURN TABLE TO IMPRINTING POSITION, RESET LINE AND LETTER INDICATOR TO LINE AND LETTER CHART PROVIDED WITH KIT.

I.D TAG IMPRINTER

3/32" LETTER AND LINE CHART





REPAIR PARTS LIST

ITEM	PART NUMBER	QTY.	DESCRIPTION
1	ID2308	1	FRONT GUIDE, MACH.
2	ID2688	1	TABLE, FIN. IMPRINTER
3	A28387	2	SCREW, FLAT HD. SC. #4-40 X 1/4
4	ID2568	1	INDICATOR, LINE SPACING, FIN.
5	ID2577	1	INDICATOR, LETTER POINTER, FIN.
6	ID2588	1	ANVIL, .75 X 2.00 TAG, FIN.
7	ID2598	1	ANVIL, 1.50 X 2.50 TAG, FIN.
8	ID2898	1	ANVIL, .75 X 3.50 TAG, FIN.
9	ID2618	1	STOP, TABLE INDICATOR
10	ID2636	2	LEAF SPRING, TAG HOLDER, FIN.
11	ID2646	2	SLIDE, TAG HOLDER, FIN.
12	ID2657	1	MOUNT, LETTER SPACING, FIN.
13	ID2668	2	DRIVE SCREW, #2 X 1/4" LONG
14	C72188	2	SCREW, SET, #10-32 X 5/32 LONG
15	A03087	2	SCREW, BUTTON HEAD,
16	ID2518	1	DECAL, 3/32" LETTER SPACING
17	ID2528	1	DECAL, SERIAL NUMBER
18	ID2538	1	DECAL, NAME PLATE
19	ID2628	1	DECAL, 3/32" LINE SPACING
20	ID2556	1	SLIDE, MOUNTING PLATE
21	ID2546	1	MOUNTING PLATE
22	ID2258	1	SPACING RACK
23	ID2248	1	TABLE ANVIL
24	ID2458	1	GAUGE NUT
25	ID2448	1	GAUGE LOCK
26	ID2288	1	TABLE SPRING
27	ID2328	1	OPERATING HANDLE ASSEMBLY
28	ID2398	1	DIAL KNOB AND GRIP
29	ID2917	1	DIAL ASSEMBLY, 3/32" CHARACTER, INCLUDES ITEM 50
30	ID2298	1	DRUM GEAR
31	ID2318	1	REAR GUIDE
32	ID2208	1	DEPTH ADJUSTMENT SCREW
33	ID2278	1	ARM STOP
34	ID2228	1	CONNECTOR LINK
35	ID2378	1	CAPSTAN SCREW
36	ID2238	1	SPACER BUTTON ASSEMBLY
37	ID2218	1	PAWL ASSEMBLY
38	ID2368	1	GIB
39	ID2388	1	RAM ASSEMBLY
40	ID2488	1	BALL SPRING, .18 DIA. X .38 LONG
41	ID2428	1	BELL CRANK
42	ID2408	1	SAFETY SPRING
43	ID2478	1	PAWL SPRING, .11 DIA. X .48 LONG
44	ID2418	1	CRANK SPRING, .44 DIA. X .75 LONG
45	ID2358	1	CAM
46	ID2468	1	TRIGGER SPRING, .18 DIA. X 1.00 LONG
47	ID2338	1	PLUNGER SPRING, .44 DIA. X .87 LONG
48	ID2198	1	TABLE SLIDE ASSEMBLY
49	ID2348	1	WASHER, DIAL
50	ID2078	1	ESCAPEMENT WHEEL, 3/32" CHARACTER REF.

TROUBLE SHOOTING

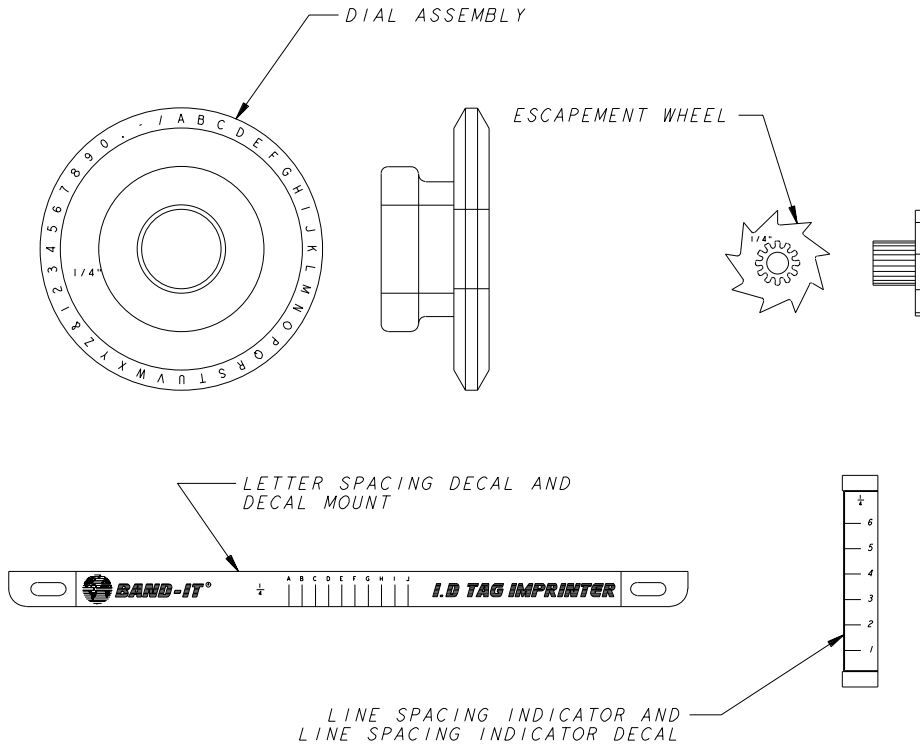
PROBLEM	PROBABLE CAUSE	CORRECTION
<i>IMPROPER LINE LOCATION.</i>	LOOSE LINE INDICATOR OR MISALIGNMENT OF LINE INDICATOR.	LINE SET-UP EDGE OF MOUNTING PLATE WITH SET-UP EDGE IN TABLE (PAGE 5). LOCK MOUNTING PLATE IN PLACE. LINE FIRST LINE OF INDICATOR WITH BOTTOM RIGHT CORNER OF MOUNTING PLATE. TIGHTEN 2 SET SCREWS LOCATED ON BOTTOM OF LINE INDICATOR.
<i>LETTERS NOT IN A STRAIGHT LINE.</i>	MOUNTING PLATE NOT LOCKED IN PLACE TIGHT. MOUNTING PLATE BOWED WHEN LOCKED IN PLACE.	CHECK GAUGE NUT - IT MUST BE TIGHT WITH MOUNTING PLATE IN LOCKED POSITION. LOOSEN 2 SET SCREWS ON BOTTOM OF LINE INDICATOR. LINE INDICATOR WILL MOVE SLIGHTLY TO THE RIGHT. RETIGHTEN 2 SET SCREWS.
<i>TABLE WILL NOT INDEX.</i>	OPERATING HANDLE NOT PUT INTO ORIGINAL POSITION. TABLE WILL NOT INDEX WHEN HANDLE IS PUT INTO ORIGINAL POSITION.	AFTER IMPRINTING EACH LETTER. THE OPERATING HANDLE MUST BE PUT INTO THE NEUTRAL POSITION. REMOVE LINE INDICATOR AND REMOVE TABLE PER INSTRUCTION SHOWN ON PAGE 3. TURN IMPRINTER UPSIDE DOWN. LOOSEN LOCK NUT AND TURN SLOTTED SET SCREW 1/4 TURN CLOCKWISE. CHECK INDEXING OF TABLE, TURN SCREW IN MORE IF NEEDED. TIGHTEN LOCK NUT TO LOCK SET SCREW IN PLACE.
<i>SMALL TAG IMPRINT NOT IN STRAIGHT LINE.</i>	LETTER IMPRESSION TOO DEEP.	TURN DEPTH ADJUSTING SCREW CLOCKWISE ALL THE WAY DOWN TO THE TOP OF THE IMPRINTER. INSERT SMALL TAG AND PLACE MOUNTING PLATE IN PROPER LOCATION. TURN DEPTH ADJUSTING SCREW COUNTER-CLOCKWISE 2 1/2 FULL TURNS AND CHECK IMPRINTER, TURN ADJUSTING SCREW A 1/4 TURN EACH TIME UNTIL A LIGHT BUT CLEAR IMPRINT IS MADE.

KITS

LETTER WHEEL

CATALOG NUMBER	U. I. C NUMBER	DESCRIPTION	WEIGHT LBS.
ID281	11281	1/16" LETTER DIAL KIT	2.090
ID290	11290	3/32" LETTER DIAL KIT	2.090
ID282	11282	1/8" LETTER DIAL KIT	2.090
ID283	11283	3/16" LETTER DIAL KIT	2.090
ID284	11284	1/4" LETTER DIAL KIT	2.090

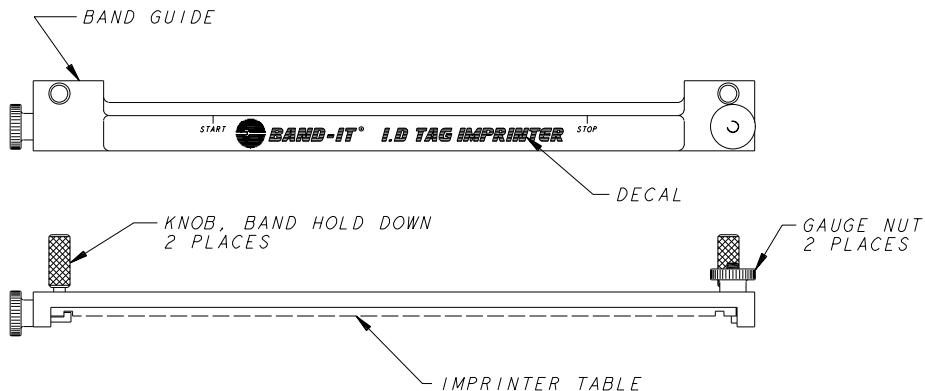
EACH KIT IS SUPPLIED WITH THE FOLLOWING ITEMS LISTED BELOW FOR EACH INDIVIDUAL SIZE.
ID284 1/4" LETTER DIAL KIT EXAMPLE SHOWN BELOW.



KITS

BAND GUIDE

CATALOG NUMBER	U. I. C NUMBER	DESCRIPTION	WEIGHT LBS.
ID285	11285	BAND GUIDE KIT	.481

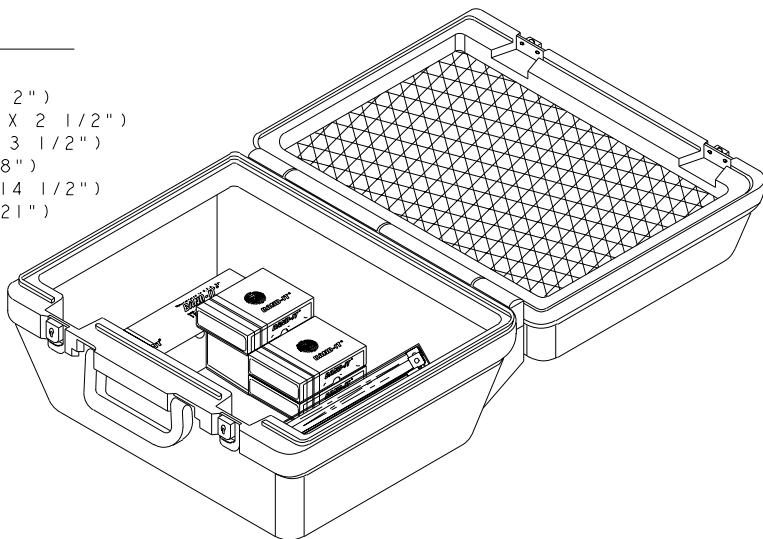


TAG

CATALOG NUMBER	U. I. C NUMBER	DESCRIPTION	WEIGHT LBS.
ID300	31300	I.D TAG KIT	21.5

KIT CONTAINS:

- ONE TIE-LOKTOOL
- 200 I.D TAGS (3/4" X 2")
- 100 I.D TAGS (1 1/2" X 2 1/2")
- 100 I.D TAGS (3/4" X 3 1/2")
- 100 TIE-LOKS (1/4" X 8")
- 200 TIE-LOKS (1/4" X 14 1/2")
- 100 TIE-LOKS (1/4" X 21")



** IMPRINTER BASIC UNIT*

<i>CATALOG NUMBER</i>	<i>U. I. C NUMBER</i>	<i>DESCRIPTION</i>	<i>WEIGHT LBS.</i>
ID201	11201	IMPRINTER WITHOUT LETTER DIA	27.91

*NOTE: ABOVE UNIT ASSEMBLY INCLUDE ALL PARTS AS SHOWN
ON SHEET 5 EXCEPT ITEMS 5, 20, 13 AND 17.*

** IMPRINTER, SPECIAL*

<i>CATALOG NUMBER</i>	<i>U. I. C NUMBER</i>	<i>DESCRIPTION</i>	<i>WEIGHT LBS.</i>
ID202	11202	1/16 IMPRINTER	30.0
ID203	11203	1/8 IMPRINTER	30.0
ID204	11204	3/16 IMPRINTER	30.0
ID205	11205	1/4 IMPRINTER	30.0

*NOTE: ABOVE UNIT ASSEMBLY INCLUDE A BASIC IMPRINTER UNIT
PLUS A LETTER DIAL KIT OF CHOICE.*

** AVAILABLE ON SPECIAL REQUEST.*