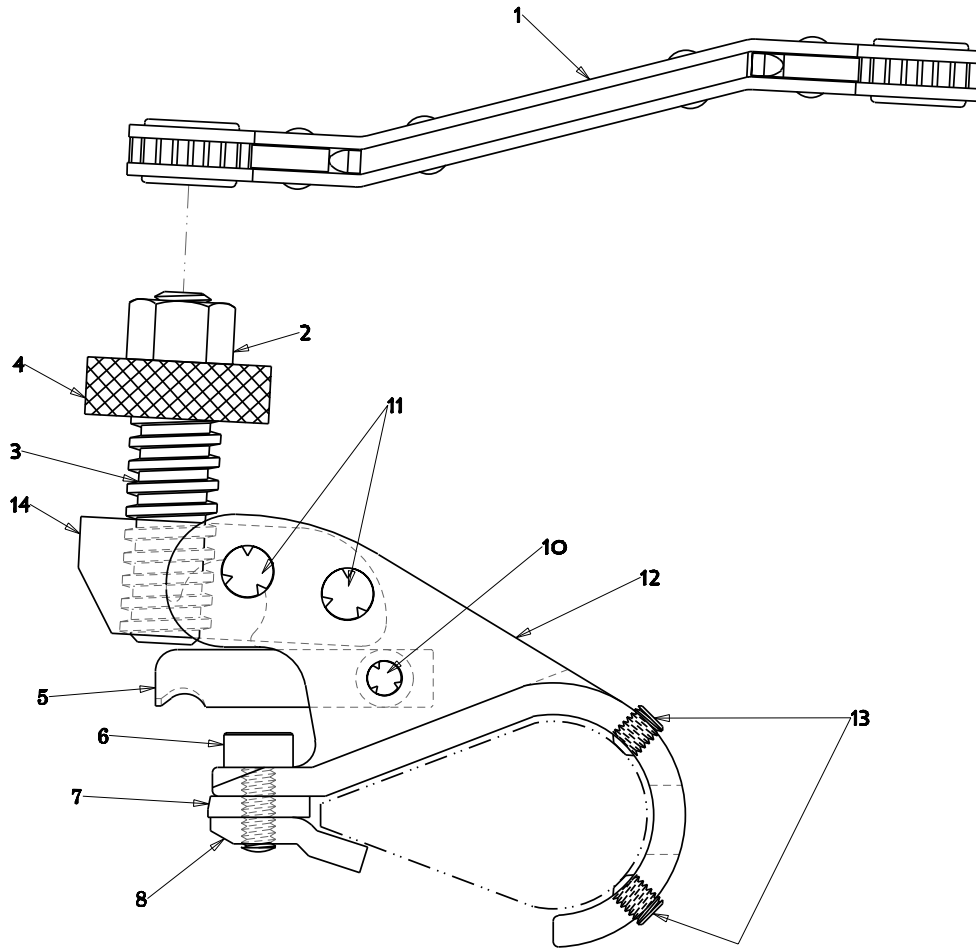




BAND-IT-IDEX, INC.

P35387 REV. B



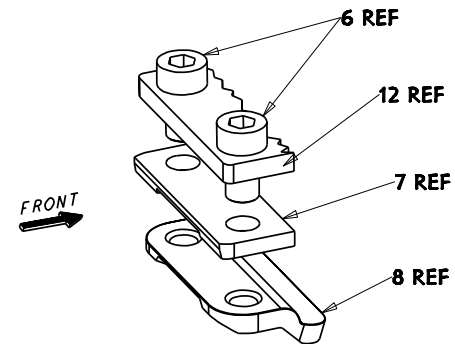
NOTES:

1. TO ASSIST IN REMOVING THREADED PARTS, APPLY HEAT (SOFTENS LOCKING COMPOUND) TO ONE OF THE AREAS SHOWN.
2. WHEN CONNECTING ITEM 4 (KNOB) OR ITEM 2 (NUT) TO ITEM 3 (SCREW), CLEAN THREADS (MALE AND FEMALE) OF FOREIGN MATTER, THEN APPLY ONE DROP OF MEDIUM STRENGTH LOCKING COMPOUND (LOCTITE 242 OR EQUIVALENT) ONTO MALE THREAD AND CONNECT PARTS TOGETHER.

JO50 HEAVY DUTY JR. ADAPTER, REPAIR PARTS LIST				
SUB ASSY. PART #	ITEM	BAND-IT PART #	DESCRIPTION	QTY.
	1	J11985	WRENCH, REV. RATCHET, 13MM	1
JO6887	2	JO5786	NUT, HEX	1
	3	JO6686	SCREW, JR. ADAPTER	1
	4	JO5586	KNOB, JR. ADAPTER	1
	5	JO0587	HOOK, SHEAR	1
JO1599	6	JO1186	SCREW, SPECIAL	2
	7	JO0486	PLATE, BACKING	1
	8	J62286	BLADE, CUTTER	1
	9	J92286	HEX KEY, SPECIAL (NOT SHOWN) ***	1
	10	JO0987	PIN, GROOVED	1
JO5187	11	JO1086	PIN, GROOVED	2
	12	JO5286	BODY, MACHINED	1
	13	JO5386	SCREW, SOCKET HD. SET,	2
	14	JO6787	BLOCK, SCREW, BLACK	1

*** SHIPPED WITH JO1599 ONLY

BAND-IT-IDEX, INC.
 A Unit of IDEX Corp
 P.O. Box 16307
 Denver, Colorado 80216-0307 USA
 1-188-525-0758
 info@band-it-idex.com
 www.band-it-idex.com



BLADE INSTALLATION

JO5069