



BAND-IT-IDEX[®], INC.

A Unit of IDEX Corporation

P.O. Box 16307

Denver, Colorado 80216-0307 USA

1-188-525-0758

info@band-it-idex.com / www.band-it-idex.com

P73187

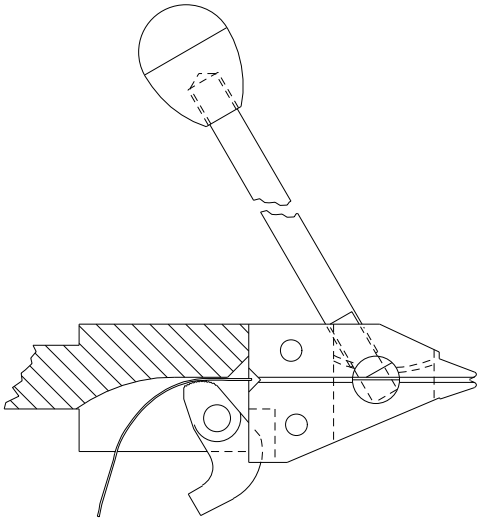


FIGURE 1

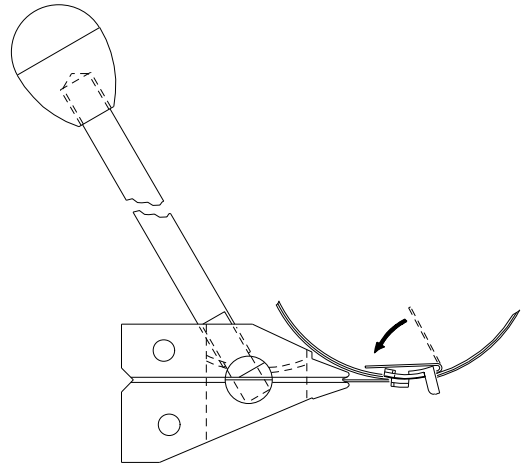


FIGURE 2

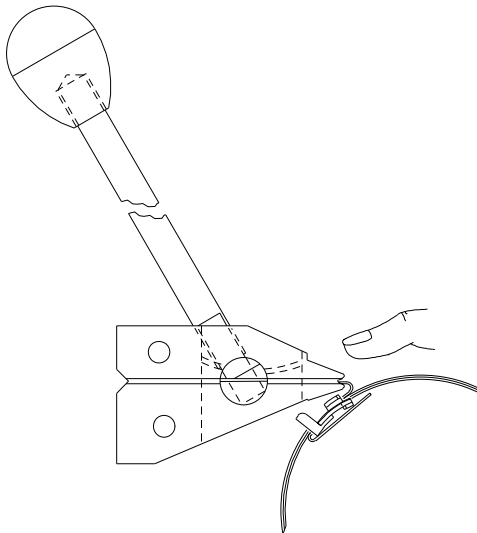


FIGURE 3

STEP 1: PULL BAND FROM CARTON, INSERT THROUGH BACK OF BAND & BUCKLE HEAD AS SHOWN IN FIGURE 1.

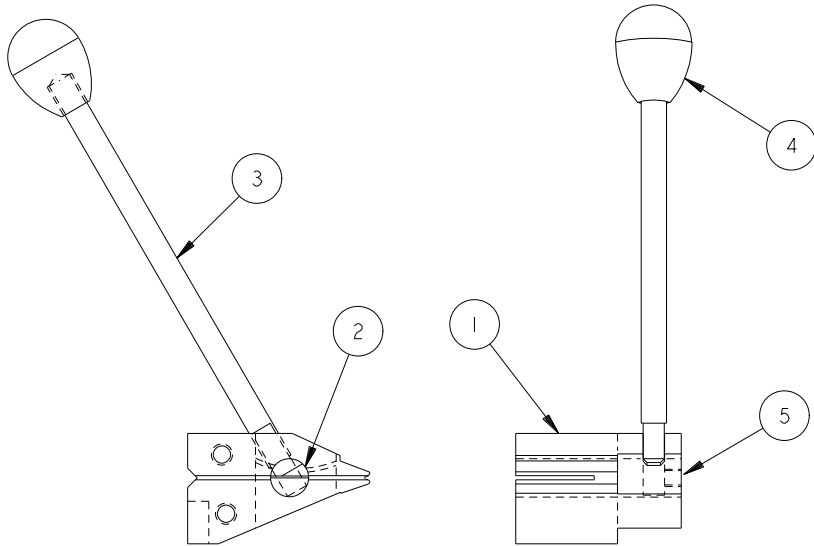
STEP 2: INSERT BAND END THROUGH BUCKLE OPENING TWICE AS SHOWN IN FIGURE 2. FOLD BAND END OVER APPROX. 1/2 INCH LONGER THAN BUCKLE LENGTH, PULL UP CLAMP PER S750 AIR TOOL INSTRUCTION MANUAL.

STEP 3: ROTATE CLAMP ASSEMBLY DOWN UNTIL A COMPLETE STOP, HOLD THUMB ON BENT BAND AREA AS SHOWN IN FIGURE 3. PULL HANDLE TO CUT BAND. FOLD BUCKLE EARS OVER TO RETAIN BAND CUT END.



BAND-IT-IOX, INC.
A Unit of IDEX Corporation

P73187



J09099 - BAND & BUCKLE HEAD

ITEM NO.	PART NUMBER	DESCRIPTION	QUAN.
1	J09187	HEAD, BAND & BUCKLE FINISHED	1
2	J09387	CUTTER BAR, BAND & BUCKLE HEAD	1
3	J09287	HANDLE, BAND CUT-OFF	1
4	C10187	KNOB, PLASTIC	1
5	C03687	SET SCREW, 1/4-28 X 3/8" LONG	1