



**BAND-IT**<sup>®</sup>  
THE CLAMPING EXPERTS

## Installation Instructions Ball-Lok Ties

**Warning:** Always wear safety glasses when operating hand tool.

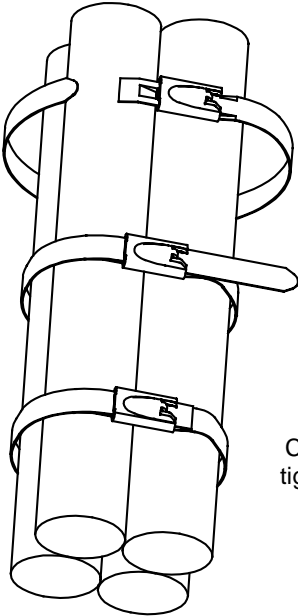
**Maximum Operating Temperature:** Nylon 11 coated ties = 300°F (149°C)  
Uncoated ties = 572°F (300°C)

### Minimum Loop Tensile Strength:

100 lbs. (445N)	3/16" (4.6mm)	Nylon 11 coated ties
100 lbs. (445N)	3/16" (4.6mm)	Uncoated ties
120 lbs. (534N)	5/16" (7.9mm)	Nylon 11 coated ties
250 lbs. (1335N)	5/16" (7.9mm)	Uncoated ties

### Tension Setting:

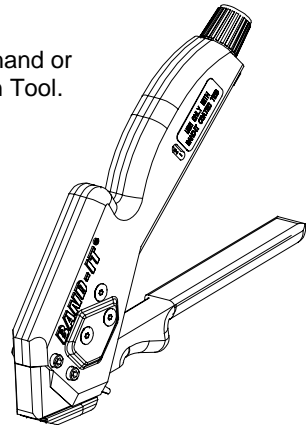
All 3/16" (4.6 mm) ties: 0-4  
All 5/16" (7.9 mm) ties: 0-6



Wrap Ball-Lok Tie around  
Object.

Tighten clamp either by hand or  
with the K920 Application Tool.

Cut off clamp tail when  
tightening clamps by hand.  
(Optional)



K920 Application Tool

# **BAND-IT**<sup>®</sup>

### WORLD HEADQUARTERS

Band-It – IDEX, Inc.  
A Unit of IDEX Corporation  
P.O. Box 16307  
Denver, Colorado 80216-0307 USA  
Phone: (303)320-4555  
Fax: (303)333-6549